

Cabinetry Care Guide



General Rules of Thumb

Here's a general guide on how to clean your cabinetry. Please be sure to check the next page to see if your kitchen requires special instructions or precautions.



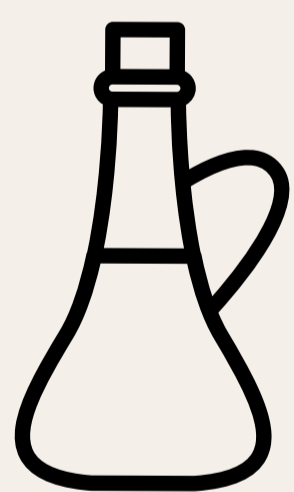
Routine Cleaning

- Use a mild cleaner such as Mrs. Meyer's or Method.
- Use a soft cloth, such as T-shirt fabric.
- Always spray cleaner on the cloth, not directly on the cabinets.
- After cleaning, use a dry cloth to buff the area dry.
- For insides of cabinets, just light dusting with a microfiber cloth will do.



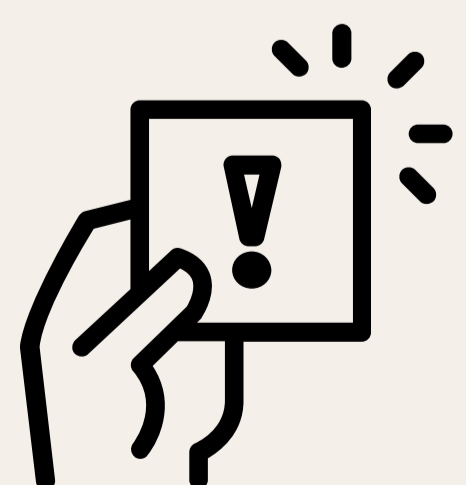
Stains

- Use a mild dish soap/water solution for spice stains, pen marks, and smudges.
- For tougher stains, lightly use a Mr. Clean Magic Eraser.
 - Caution: do not use Magic Eraser sponges on natural wood veneer (see next page for details).
- Remove as much of the stain as possible with a clean, soft cloth.
- Blot the stain, taking care not to spread it.
- Lightly rub a dampened Magic Eraser over the stain, again, taking care not to spread it.
- Use a clean, damp, soft cloth dampened with water to do a final cleaning.
- Use a dry cloth to buff it dry.
- Do not rub hard, as this can damage the finish on wood veneer and melamine.



Grease

- Clean drips and grease right away.
- If grease won't come off, use a heavier cleaner such as Dawn.
- Remove as much of the stain as possible with a clean, soft cloth.
- Blot the stain, taking care not to spread it.
- Use a clean, soft cloth dampened with water to remove the cleanser.
- Use a dry cloth to buff it dry.



Precautions

- Lightly rub stains off— be careful not to rub too hard in order to avoid abrasions.
- Do not use micro-fiber cloths or any abrasive cloths and sponges on wood veneer, as the fibers can catch on the wood and damage it.
- Do not rub hard on any of the surfaces of the cabinets.
- Do not use any harsh chemicals such as bleach or ammonia.
- To avoid water damage, do not allow water to sit on cabinet faces or edges for more than 20-30 minutes.

What's in your kitchen?

In addition to following the general cleaning guide on the previous page, here are material-specific guidelines depending on what's in your kitchen. For more info, visit sozostudio.com/care.

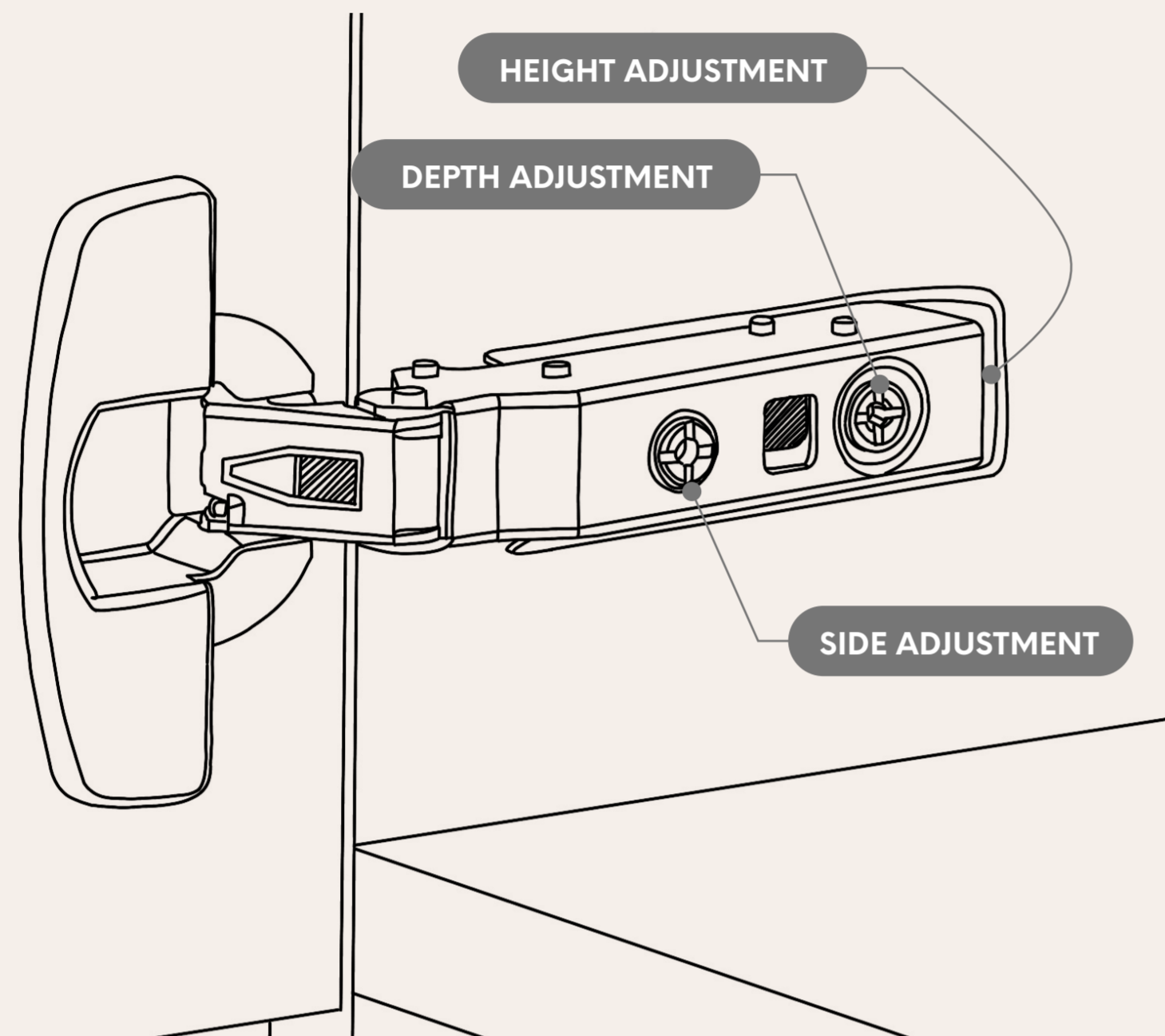
Your Material	Things to Note
<input type="radio"/> Fenix NTM, Fenix Alloy	<p>ROUTINE CLEANING</p> <ul style="list-style-type: none">Fenix does not require any special maintenance, just a damp cloth with warm water or a mild detergent will do. <p>SURFACE SCRATCHES</p> <ul style="list-style-type: none">Fenix is thermal healing, which means that surface scratches miraculously disappear with heat!Just rub a slightly damp magic sponge where micro-scratches can be seen, and the surface should heal itself.
<input type="radio"/> Lacquer (custom applied)	<p>PRECAUTIONS</p> <ul style="list-style-type: none">To avoid creating abrasions or shiny areas, take extra caution not to scrub too hard or over-buff.
<input type="radio"/> Lacquer (pre-finished and edgebanded)	<p>ROUTINE CLEANING</p> <ul style="list-style-type: none">Be careful not to spray cleaning solution directly onto cabinets; it's best to dampen the towel first.To prevent residue from water or cleaning product, be sure to buff with a soft cloth to dry. Do not air dry.
<input type="radio"/> Laminate	<ul style="list-style-type: none">Follow general cleaning guide.
<input type="radio"/> Laminate (textured)	<ul style="list-style-type: none">Follow general cleaning guide.
<input type="radio"/> Melamine	<p>PRECAUTIONS</p> <ul style="list-style-type: none">To avoid abrasions, take extra caution not to scrub too hard or over-buff.
<input type="radio"/> Metal	<p>PRECAUTIONS</p> <ul style="list-style-type: none">Make sure your cleaning cloth does not have any trace of hard bits, such as rice or dried pasta, as metal is easily scratched.
<input type="radio"/> Wood Veneer	<p>ROUTINE CLEANING</p> <ul style="list-style-type: none">Always clean gently.To prevent residue from water or cleaning product, be sure to buff with a soft cloth to dry. Do not air dry. <p>PRECAUTIONS</p> <ul style="list-style-type: none">To avoid creating abrasions or shiny areas, take extra caution not to scrub too hard or over-buff.Do NOT use Magic Eraser.Do NOT use microfiber cloths, as fibers from the cloth can get caught on the veneer. Use a t-shirt cloth instead.Do NOT use Goo Gone or anything containing orange oil as they will eat through the finish.

Adjusting Hinges

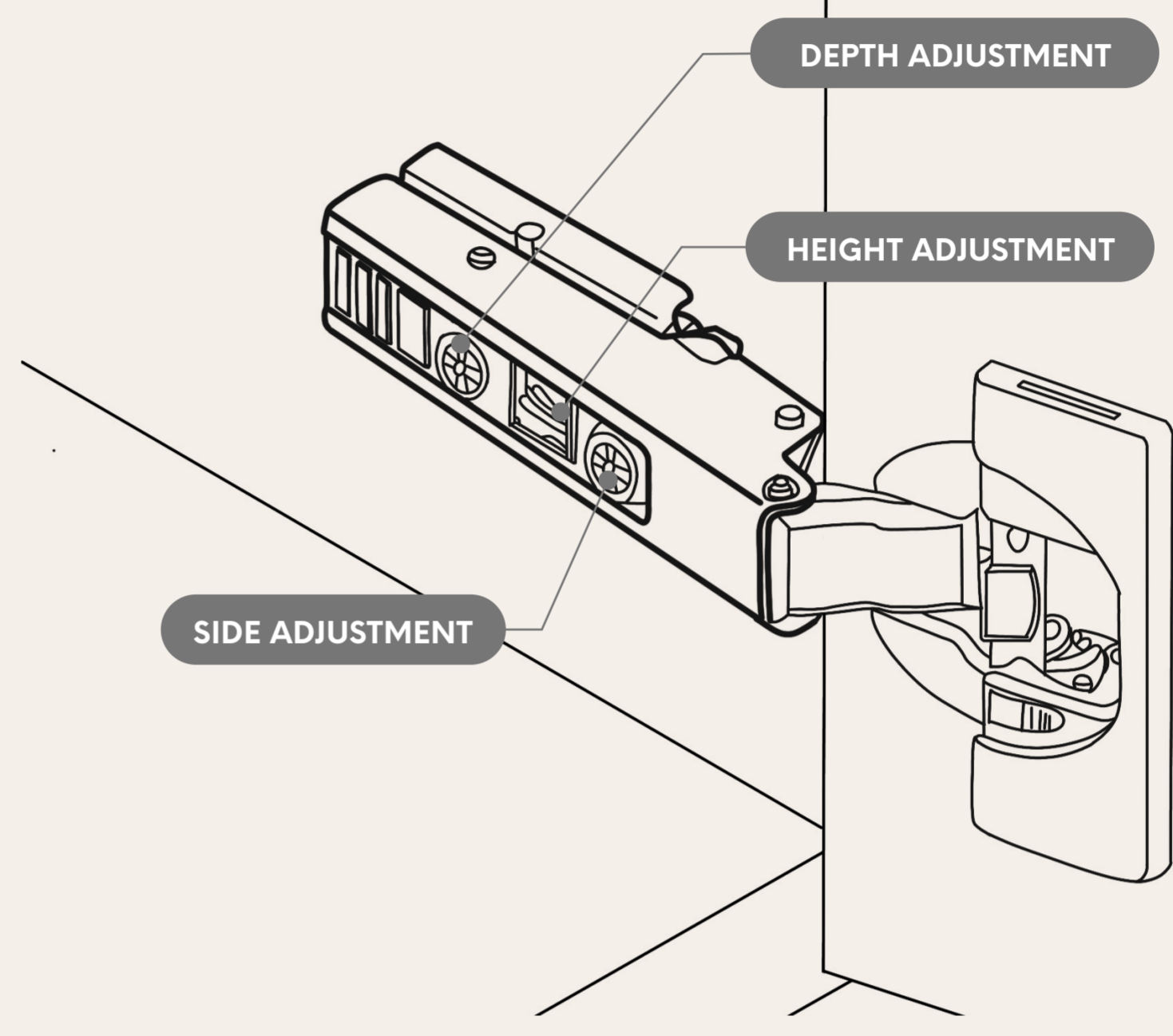
To keep your cabinet doors in alignment, you can easily make adjustments to the hinges. Visit sozostudio.com/care for tutorial videos based on the make and model of your hinges:

Your Hinges

Hettich



Blum

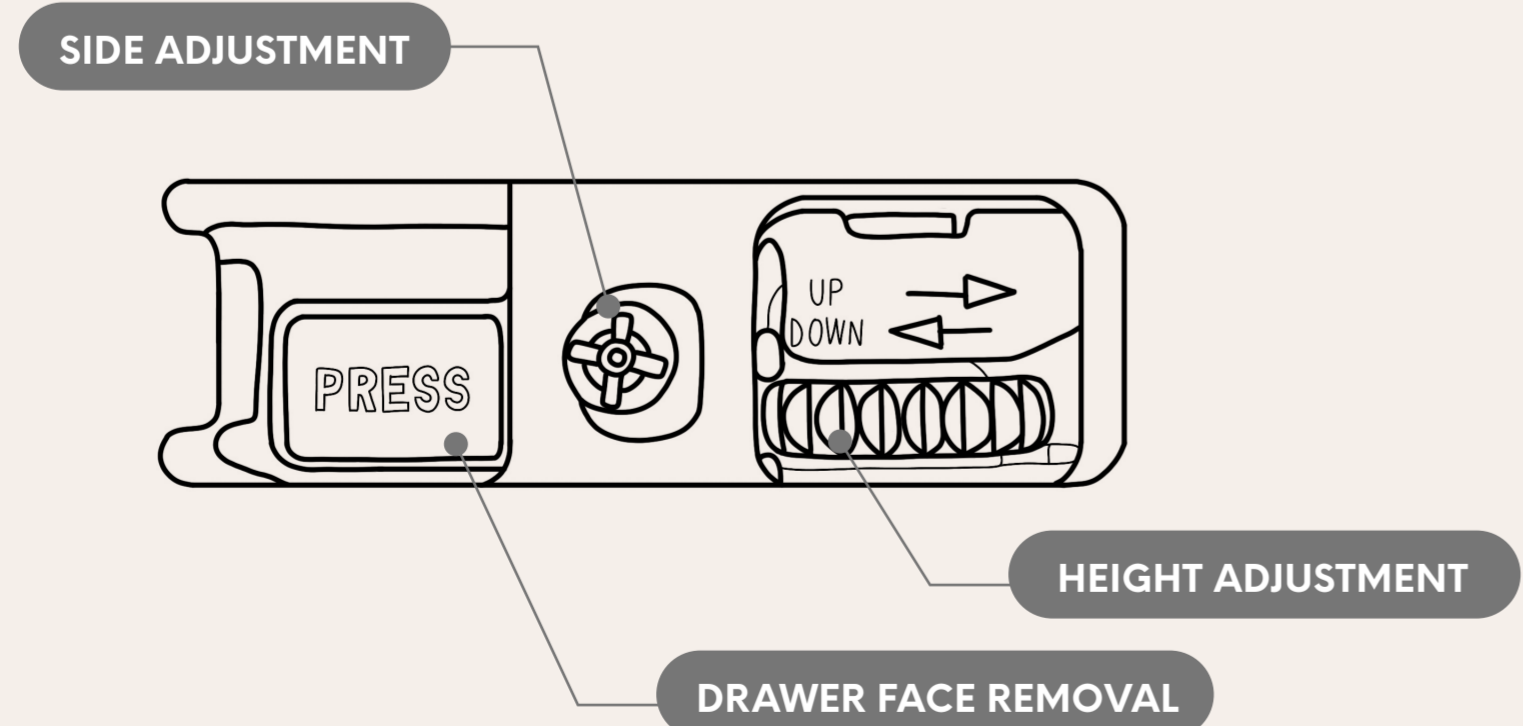


Adjusting Drawers

To keep your drawer faces in alignment, you can easily make adjustments underneath the cover cap on the drawer sides. Visit sozostudio.com/care for tutorial videos based on the make and model of your drawer hardware:

Your Drawers

Hettich Atira



Blum Legrabox

